

# Parts and Diagrams

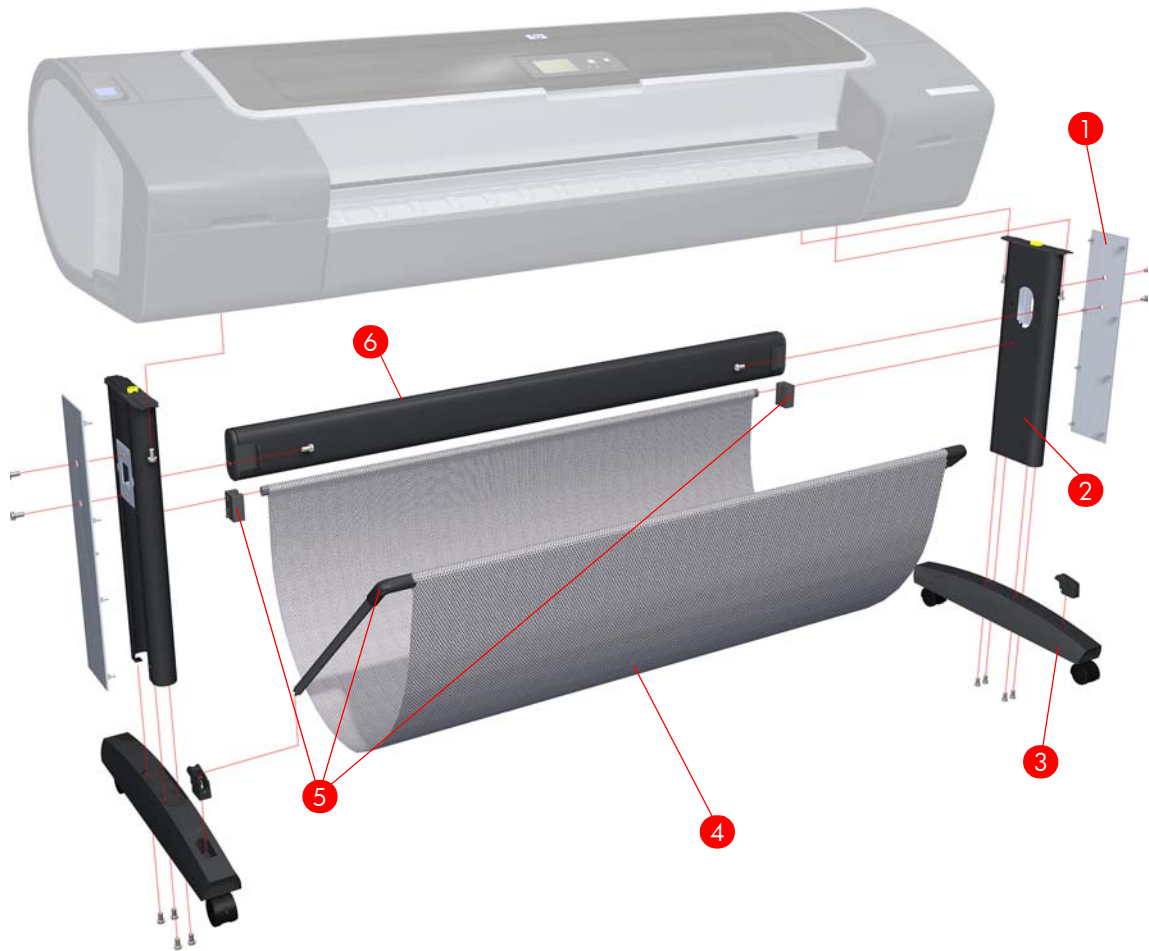
# 5

Printer Support 5-2  
Center Covers (Front) 5-4  
Center Covers (Rear) 5-6  
Right Cover 5-8  
Left Cover 5-10  
Right Hand Assemblies 5-12  
Left Hand Assemblies 5-14  
Carriage Assembly (T1100/T1100ps/T610) 5-17  
Carriage Assembly (T1120/T1120ps/T620) 5-19  
Scan-Axis Assemblies (T1100/T1100ps/T610) 5-21  
Scan-Axis Assemblies (T1120/T1120ps/T620) 5-23  
Paper Path Assemblies (Front) 5-25  
Paper Path Assemblies (Rear) 5-27  
Tool Kits 5-29  
Miscellaneous Parts 5-31  
New Formatter Design 5-32

## Printer Support

Reference on Figure	HP Part Number	Part Description	Printer Model	Size	Page <sup>a</sup>
1	Q5669-60718	Leg Cover	All	All	N/A
2	Q5669-60716	Legs Assembly			
3	Q5669-60715	Foot Assembly (includes 1 foot and 1 support tube)			
4	Q5669-60719	Bin Assembly (Includes the Bin Support)		24 inch	6-10
	Q6659-60237			44 inch	
5	Q5669-67063	Rear basket brackets and basket tube		All	
6	Q5669-60717	X-Brace Assembly		24 inch	N/A
	Q6659-60236			44 inch	
-	Q5669-60730	Hardware Kit (Includes screws for Legs Assembly)	All		

<sup>a</sup> Refers to the page in the Removal and Installation Chapter

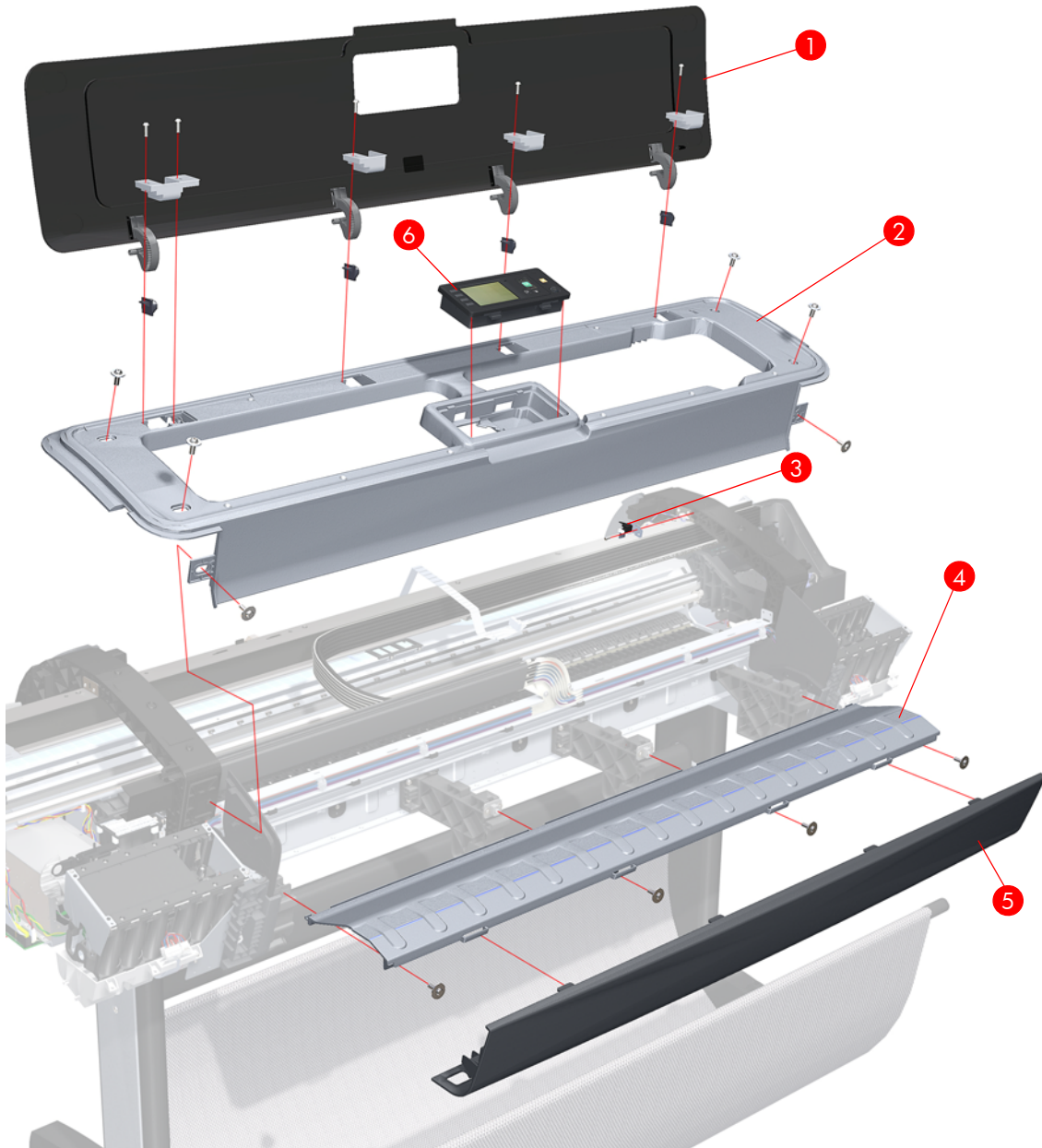


**Figure 5-1: Printer Support**

## Center Covers (Front)

Reference on Figure	HP Part Number	Part Description	Printer Model	Size	Page <sup>a</sup>
1	Q6683-60208	Window	T1100/ T1100ps/ T1120/ T1120ps	24 inch	<a href="#">6-12</a>
	Q6687-60066			44 inch	
	Q6711-60002		T610/ T620	24 inch	
	Q6712-60001		T610	44 inch	
2	Q6683-60198	Top Cover	All except T620	24 inch	<a href="#">6-50</a>
	Q6687-60062			44 inch	
	Q6711-60025		T620	24 inch	
3	Q5669-60675	Window Position Sensor	T1100/ T1100ps/ T610	All	<a href="#">6-53</a>
	CK837-67025		T1120/ T1120ps/ T620		
4	Q5669-60155	Media Output Assembly	All	24 inch	<a href="#">6-17</a>
	Q6659-60089			44 inch	
5	Q6683-60201	Front Cover		24 inch	<a href="#">6-16</a>
	Q6687-60064			44 inch	
6	Q6683-60719	Front Panel	T1100/ T1100ps/ T610	All	<a href="#">6-47</a>
	CK837-67006		T1120/ T1120ps/ T620		

<sup>a</sup> Refers to the page in the Removal and Installation Chapter

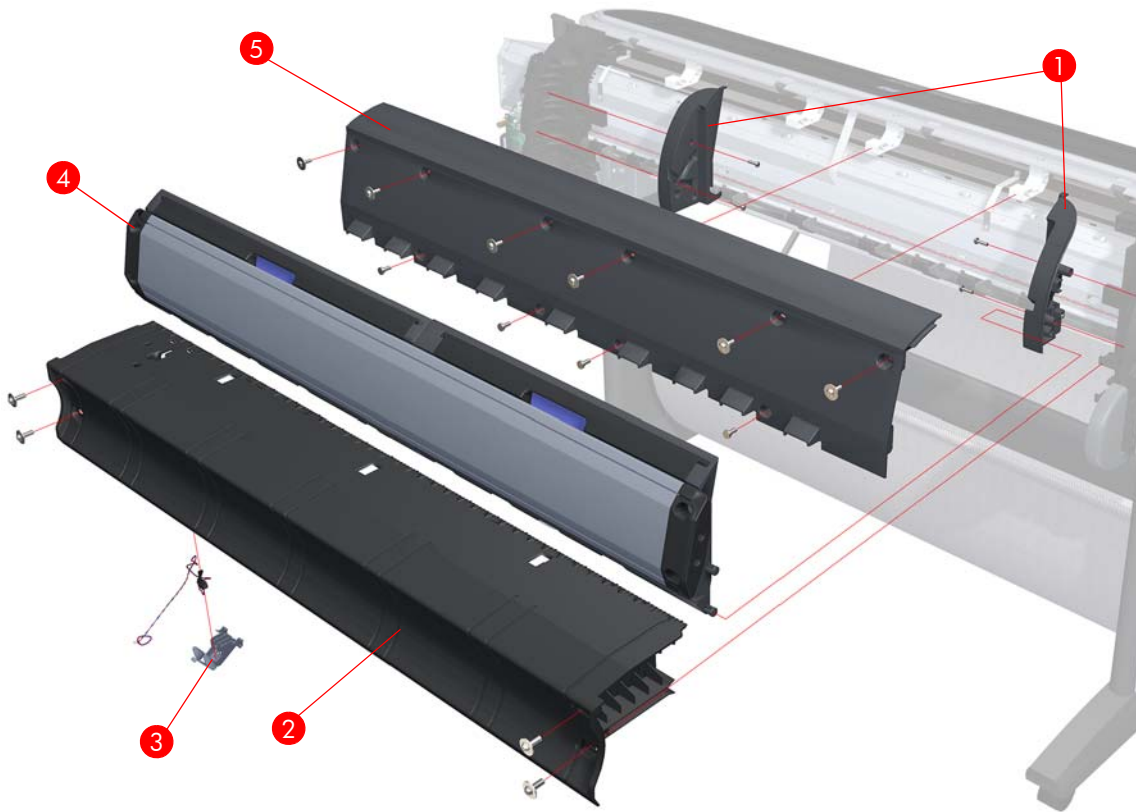


**Figure 5-2: Center Covers (Front)**

## Center Covers (Rear)

Reference on Figure	HP Part Number	Part Description	Printer Model	Size	Page <sup>a</sup>
1	Q6683-60207	Rear Tray Supports	All	All	<a href="#">6-43</a>
2	Q6683-67802	Clean Out Assembly		24 inch	<a href="#">6-90</a>
	Q6687-67801			44 inch	
3	Q5669-67801	Out Of Paper Sensor	All	<a href="#">6-91</a>	
4	Q6683-60194	Rear Tray	T1100/ T1100ps/ T610	24 inch	<a href="#">6-35</a>
	Q6687-60058			44 inch	
	CK837-67021		T1120/ T1120ps/ T620	24 inch	
	CK839-67007			44 inch	
5	Q6683-60200	Rear Cover	All	24 inch	<a href="#">6-36</a>
	Q6687-60063			44 inch	

<sup>a</sup> Refers to the page in the Removal and Installation Chapter



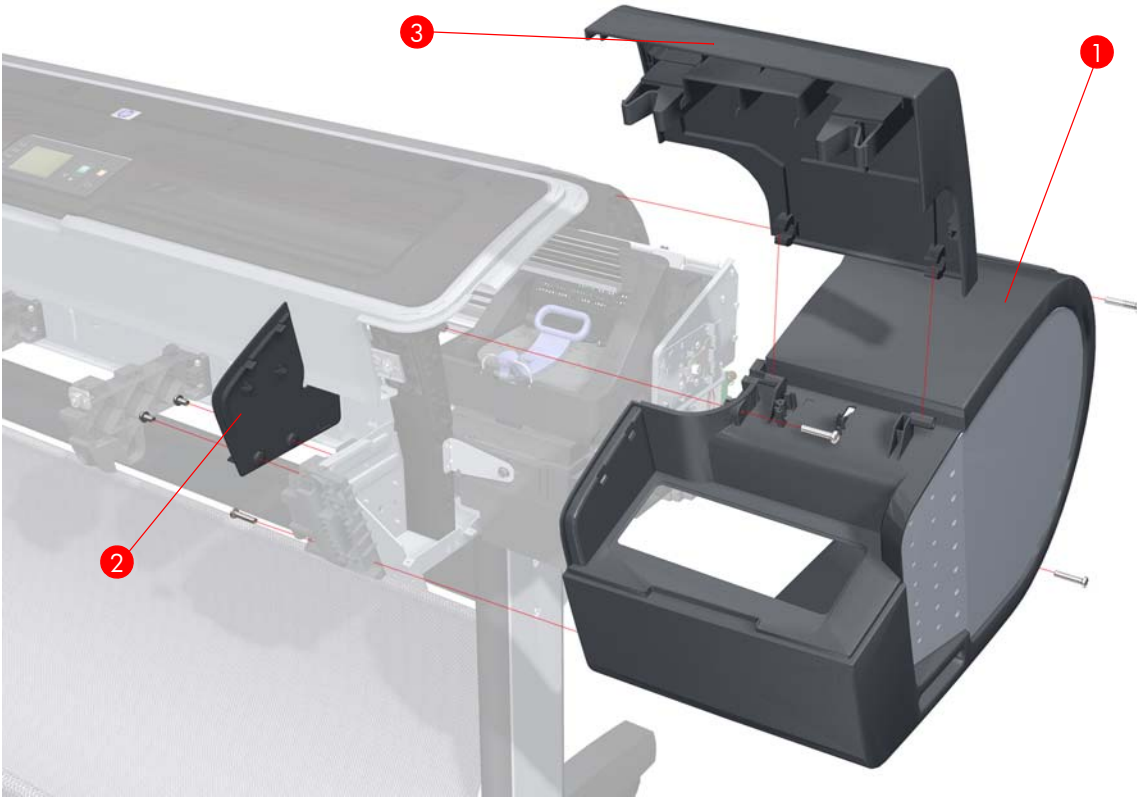
**Figure 5-3: Center Covers (Rear)**

## Right Cover

Reference on Figure	HP Part Number	Part Description	Printer Model	Size	Page <sup>a</sup>
1	Q6683-60203	Right Cover (without Right Ink Cartridge Door)	T1100/ T1100ps/ T1120/ T1120ps	All	<a href="#">6-27</a>
	Q6711-60003		T610/ T620		
2	Q6675-60109	Left Front Trim/Right Front Trim (Left not shown)	All		<a href="#">6-19</a>
3	Q6683-60205	Right Ink Cartridge Door	T1100/ T1100ps		All
	Q6711-60004		T610		
	Q6683-60233		T1100/ T1100ps/ T610		
	CK837-67024		T1120/ T1120ps/ T620		

<sup>a</sup> Refers to the page in the Removal and Installation Chapter



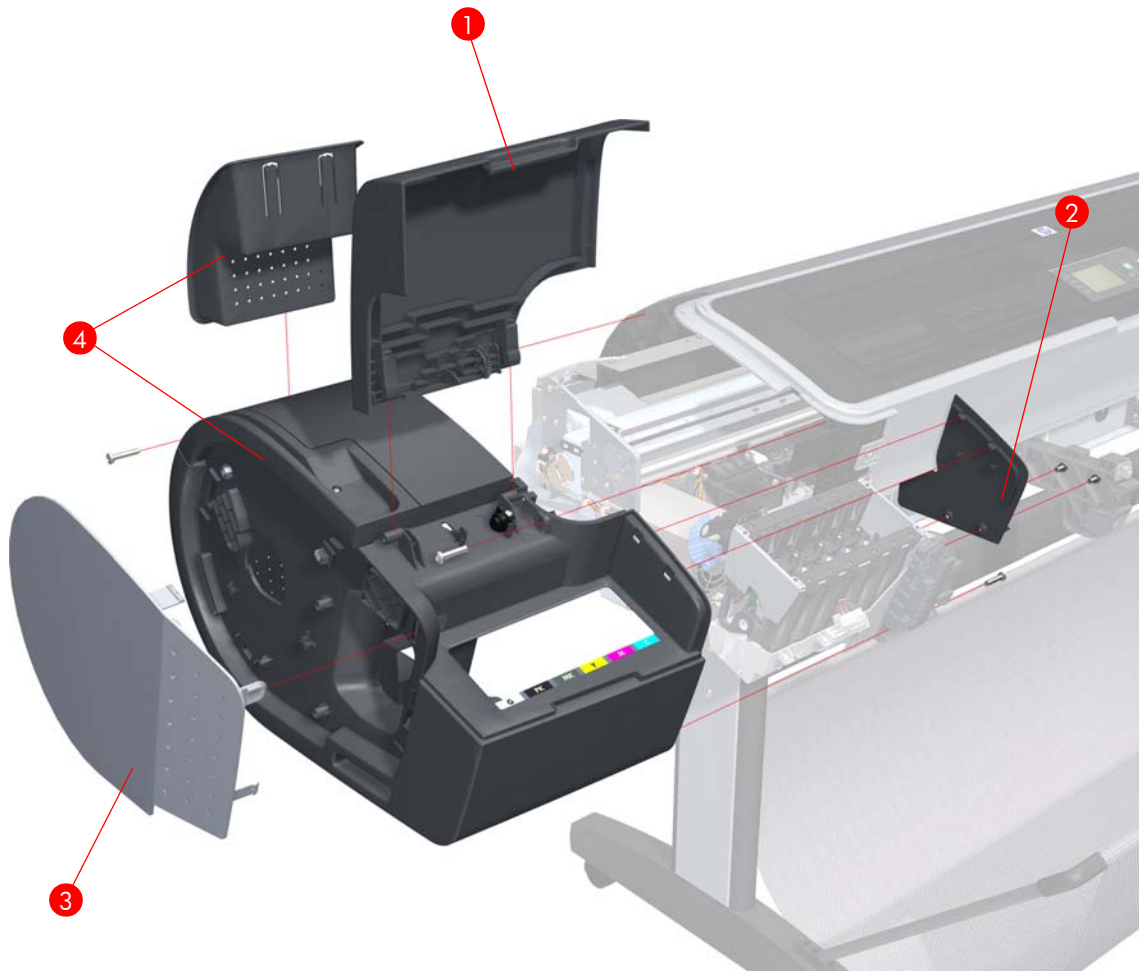


**Figure 5-4: Right Cover**

## Left Cover

Reference on Figure	HP Part Number	Part Description	Printer Model	Size	Page <sup>a</sup>
1	Q6683-60232	Left Ink Cartridge Door	All	All	<a href="#">6-25</a>
2	Q6675-60109	Left Front Trim/Right Front Trim (Right not shown)			<a href="#">6-21</a>
3	Q6683-67003	Left Side Panel	T1100/ T1100ps/ T1120/ T1120ps		<a href="#">6-30</a>
	CH539-67002		T610		
			T620	24 inch	
4	Q6683-60202	Left Cover (without Left Ink Cartridge Door & Left Side Panel)	All	All	<a href="#">6-30</a>

*a Refers to the page in the Removal and Installation Chapter*

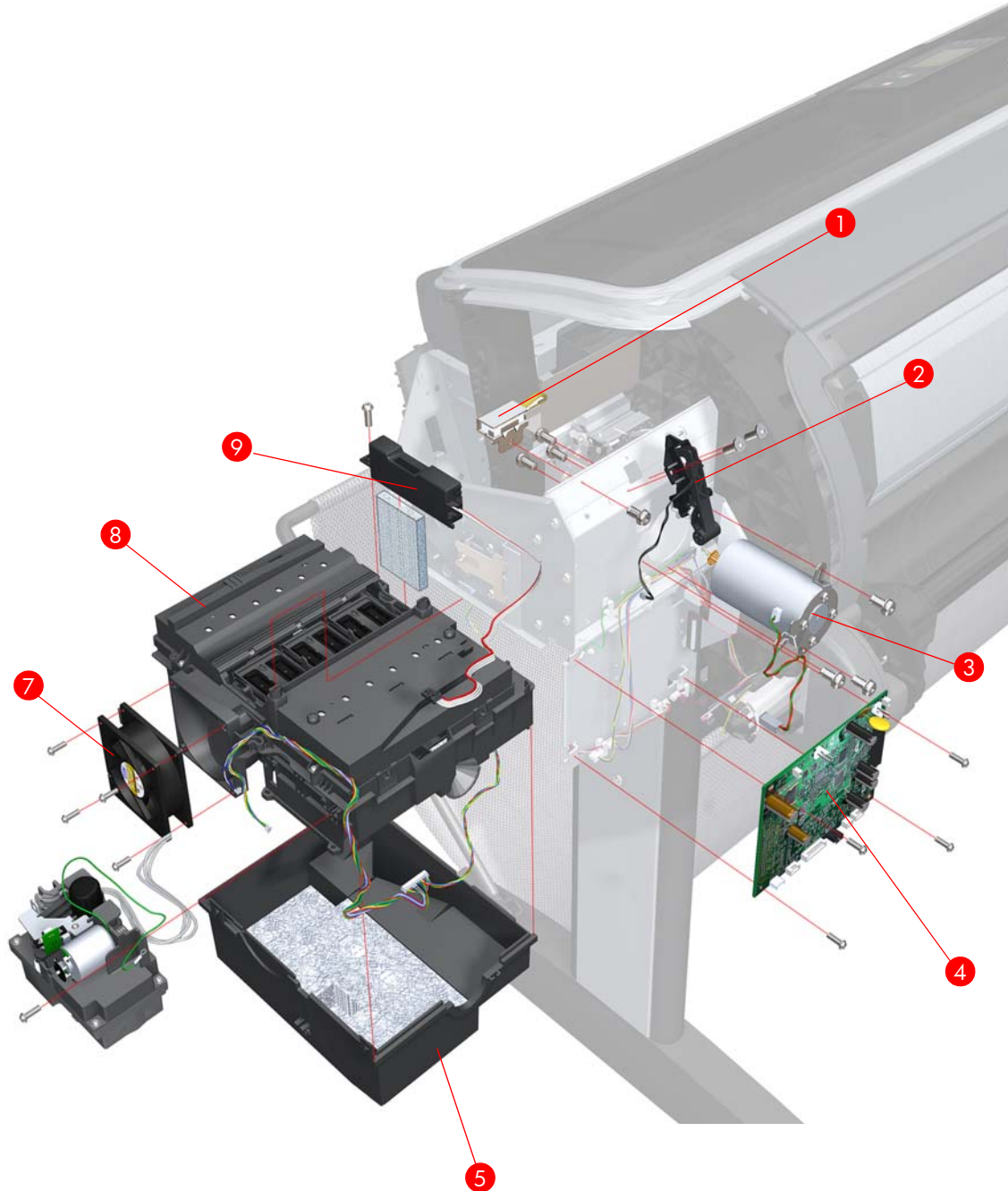


**Figure 5-5: Left Cover**

## Right Hand Assemblies

Reference on Figure	HP Part Number	Part Description	Printer Model	Size	Page <sup>a</sup>
1	Q6675-60043	Carriage Rail Oiler	All	All	<a href="#">6-154</a>
2	Q5669-67807	Pen to Paper Space (PPS) Solenoid			<a href="#">6-77</a>
3	Q5669-60674	Scan-Axis Motor	T1100/ T1100ps/ T610		<a href="#">6-142</a>
	CK837-67015		T1120/ T1120ps/ T620		<a href="#">6-146</a>
4	Q6683-60190	Printmech PCA	T1100/ T1100ps/ T610		<a href="#">6-73</a>
5	Q5669-60667	Service Station Spittoon			<a href="#">6-65</a>
7	Q5669-60664	Aerosol Fan Assembly (Some units may not have an aerosol fan. If a unit does not have an aerosol fan, it does not need to be connected.)			<a href="#">6-71</a>
8	Q6683-60187	Service Station (Includes Drop Detector, Aerosol Fan Assembly, Printmech PCA, and Service Station Spittoon)			<a href="#">6-61</a>
	CK837-67022	Service Station (Includes Drop Detector, and Service Station Spittoon)			<a href="#">6-65</a>
9	Q5669-60666	Drop Detector	All	<a href="#">6-69</a>	

<sup>a</sup> Refers to the page in the Removal and Installation Chapter



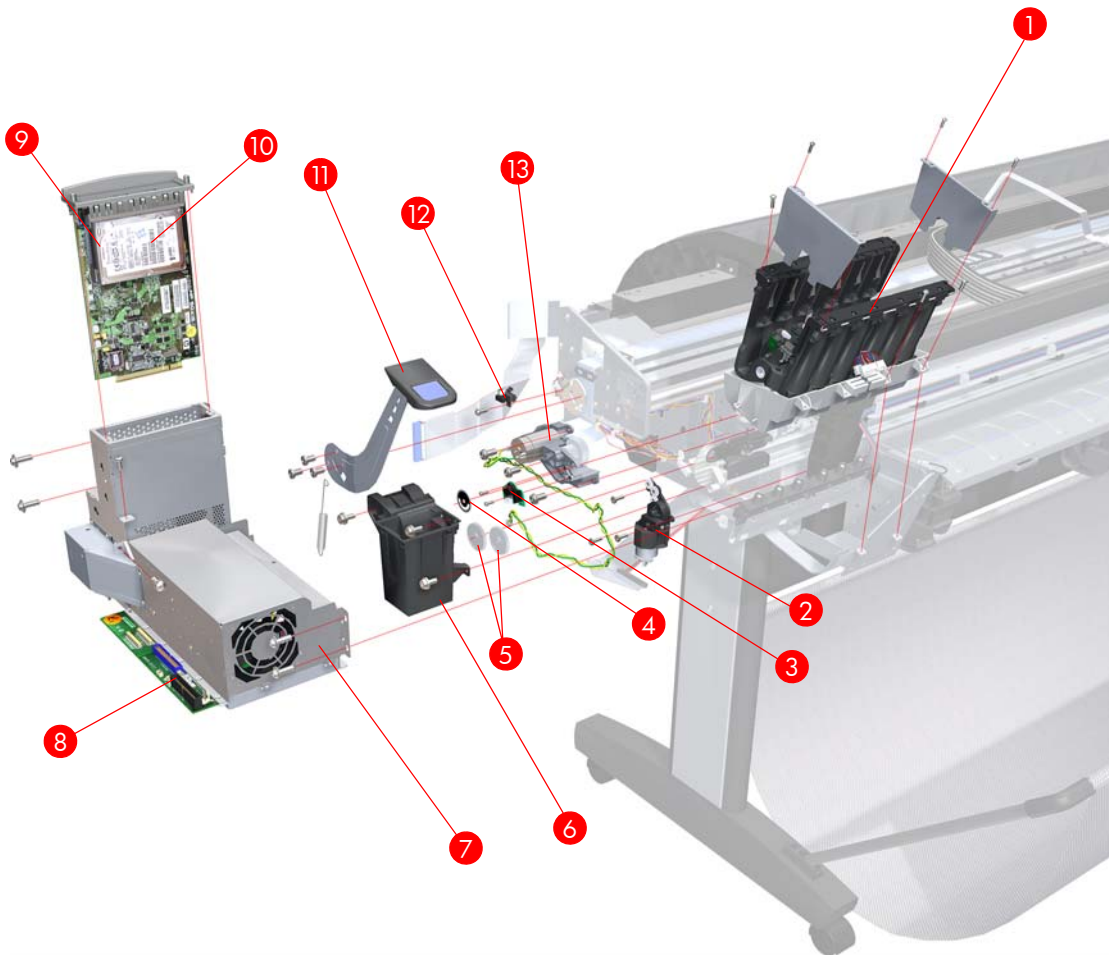
**Figure 5-6: Right Hand Assemblies**

## Left Hand Assemblies

Reference on Figure	HP Part Number	Part Description	Printer Model	Size	Page <sup>a</sup>	
1	Q6683-60188	Left Ink Supply Station	All	All	<a href="#">6-187</a>	
2	Q6718-67017	Starwheel Motor	All		<a href="#">6-251</a>	
3	Q5669-60703	Encoder Sensor	T1100/ T1100ps/ T610		<a href="#">6-222</a>	
	CK837-67020		T1120/ T1120ps/ T620			
4	Q5669-60702	Encoder Disk	All		<a href="#">6-222</a>	
5	Q5669-60700	Media Advance Transmission	T1100/ T1100ps/ T610		<a href="#">6-224</a>	
	CK837-67019		T1120/ T1120ps/ T620			
6	Q5669-67049	Left Spittoon	All		<a href="#">6-220</a>	
7	Q5669-60693	Power Supply Unit (PSU) Assembly	T1100/ T1100ps/ T610		<a href="#">6-206</a> <a href="#">6-209</a>	
	Q6718-67005		T1120/ T1120ps/ T620			
8	Q6683-60192	Main PCA with Power Supply Unit (PSU) Assembly	T1100/ T1100ps/ T610		24 inch	<a href="#">6-206</a> <a href="#">6-209</a>
	Q6687-60057				44 inch	
	CK837-67007		T1120/ T1120ps/ T620	24 inch		
	CK839-67001			44 inch		
9	Q6683-60021	Formatter (with Hard Disk Drive. Printers manufactured after February 2008)	T1100	All	<a href="#">6-204</a>	
	Q6711-60024		T610			
	Q6684-60008	Formatter SV (without Hard Disk Drive)	T1100ps			
	CK837-67026		T1120/ T1120ps/ T620			
10	CK837-67009	SATA Hard Disk Drive SV	T1120/ T1120ps	<a href="#">6-204</a>		
	CK835-67002		T620			
11	Q5669-60705	Media Lever	All	<a href="#">6-37</a>		
12	Q5669-60706	Media Lever Position Sensor	All	<a href="#">6-40</a>		

13	Q5669-60704	Media Advance Drive	T1100/ T1100ps/ T610		<a href="#">6-224</a>
----	-------------	---------------------	----------------------------	--	-----------------------

*a Refers to the page in the Removal and Installation Chapter*



For information about changes to the formatter design, see [New Formatter Design on page 5-32](#).

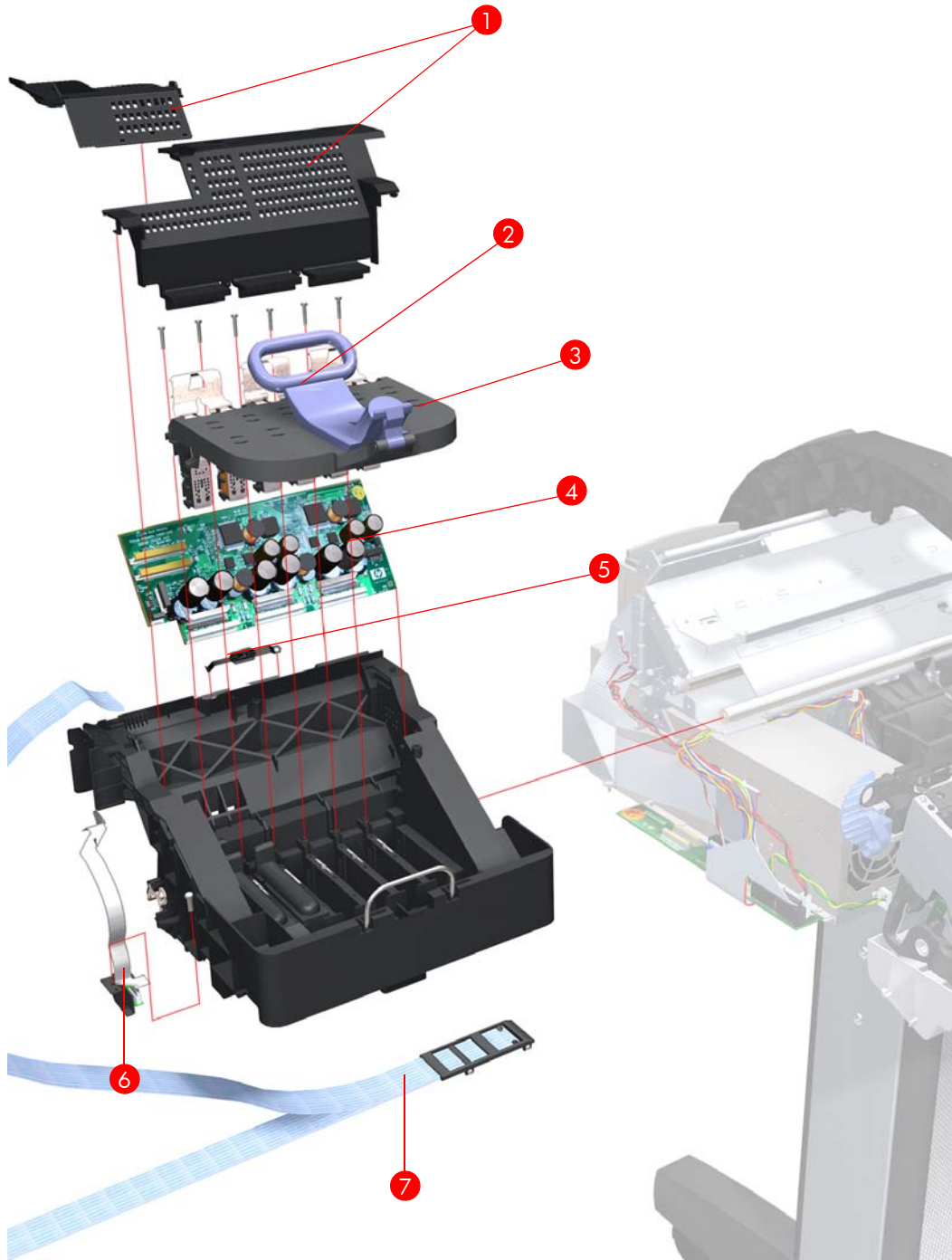
**Figure 5-7: Left Hand Assemblies**



**Carriage Assembly (T1100/T1100ps/T610)**

Reference on Figure	HP Part Number	Part Description	Printer Model	Size	Page <sup>a</sup>
1	Q5669-60689	Carriage PCA Covers	T1100/ T1100ps/ T610	All	<a href="#">6-127</a>
2	Q5669-60685	Carriage Latch			<a href="#">6-167</a>
3	Q6683-60189	Carriage Cover (includes Carriage Latch)			<a href="#">6-167</a>
4	Q6683-60191	Carriage PCA			<a href="#">6-182</a>
5	Q6683-67004	Line Sensor			<a href="#">6-161</a>
6	Q5669-60687	Carriage Rear Bushing			<a href="#">6-137</a>
7	Q5669-67052	Trailing Cable		24 Inch	<a href="#">6-102</a>
	Q6659-67015			44 Inch	
1 - 6	Q6683-67017	Carriage Assembly (includes: Line Sensor, Carriage Cover, Carriage Latch, Carriage PCA, Carriage Rear Bushing and Trailing Cable)		24 inch	<a href="#">6-127</a>
	Q6687-67009			44 inch	

*a Refers to the page in the Removal and Installation Chapter*

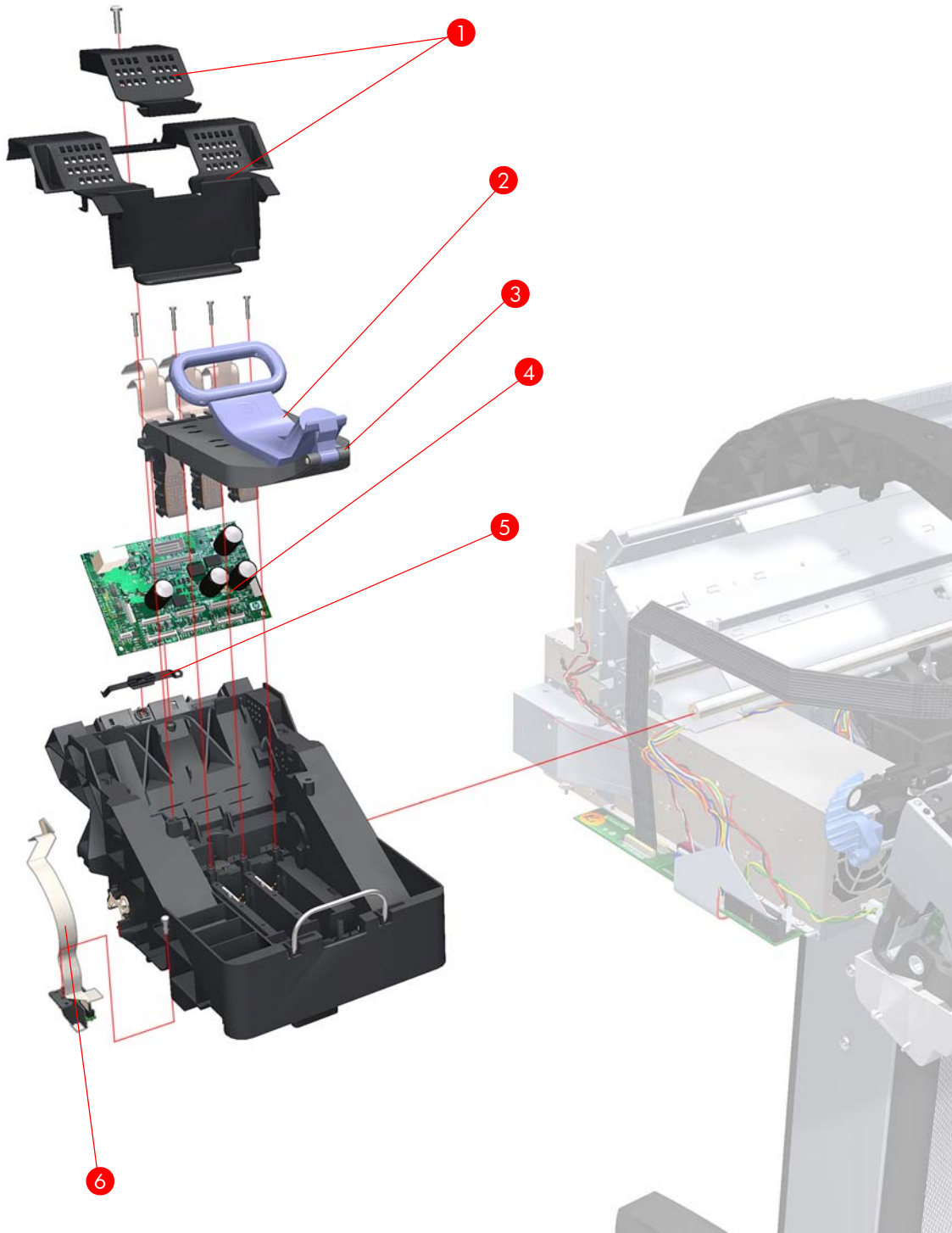


**Figure 5-8: Carriage Assembly (T1100/T1100ps/T610)**

**Carriage Assembly (T1120/T1120ps/T620)**

Reference on Figure	HP Part Number	Part Description	Printer Model	Size	Page <sup>a</sup>
1	CK837-67028	Carriage PCA Covers	T1120/ T1120ps/ T620	All	<a href="#">6-127</a>
2	CK837-67001	Carriage Latch			<a href="#">6-167</a>
3	CK837-67002	Carriage Cover (includes Carriage Latch)			<a href="#">6-167</a>
4	CK837-67005	Carriage PCA			<a href="#">6-182</a>
5	Q6683-67004	Line Sensor			<a href="#">6-161</a>
6	Q5669-60687	Carriage Rear Bushing			<a href="#">6-137</a>
1 - 6	CK837-67027	Carriage Assembly			<a href="#">6-127</a>

*a Refers to the page in the Removal and Installation Chapter*

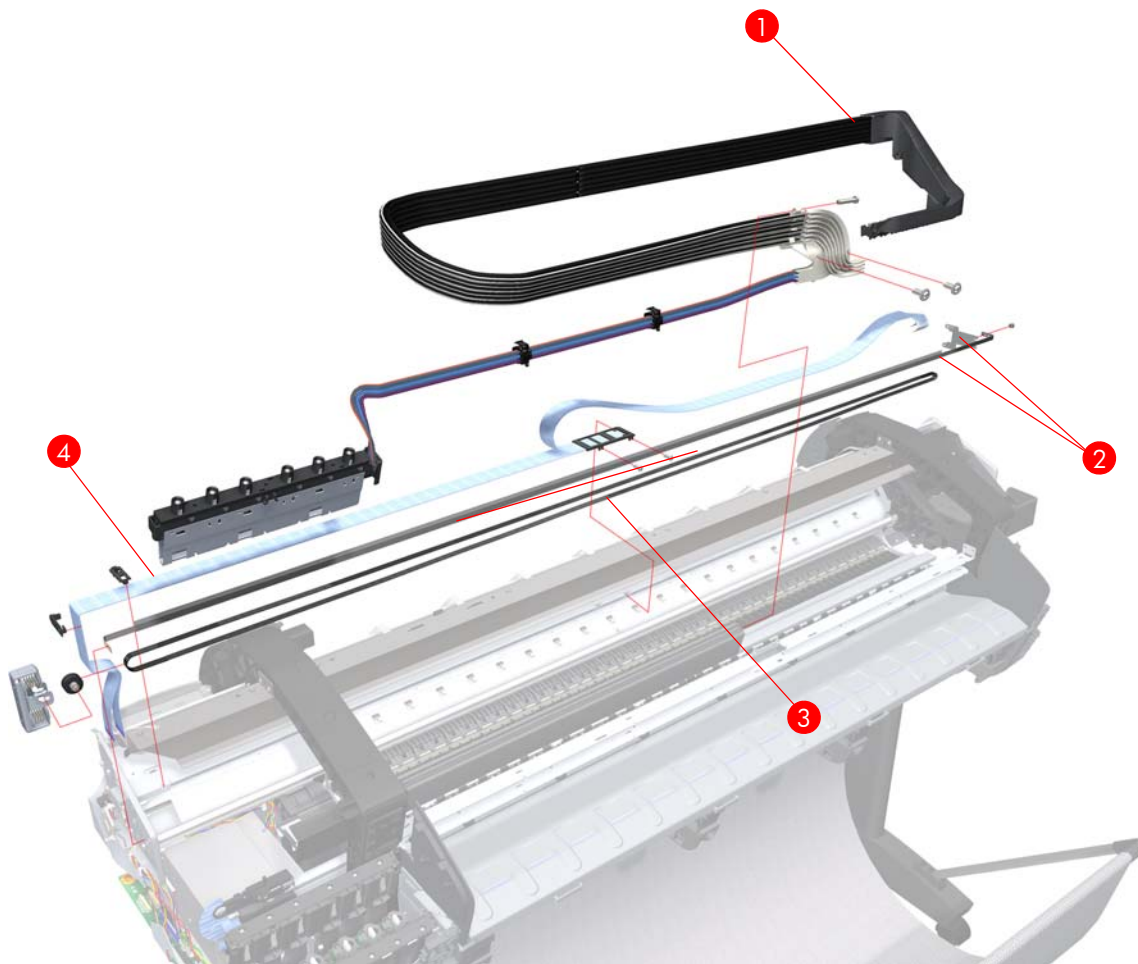


**Figure 5-9: Carriage Assembly (T1120/T1120ps/T620)**

**Scan-Axis Assemblies (T1100/T1100ps/T610)**

Reference on Figure	HP Part Number	Part Description	Printer Model	Size	Page <sup>a</sup>
1	Q6683-60195	Ink Supply Tubes	T1100/ T1100ps/ T610	24 inch	<a href="#">6-197</a>
	Q6687-60059			44 inch	
2	Q6683-60242	Encoder Strip (including Encoder Strip Spring and Nut)		24 inch	<a href="#">6-99</a>
	Q6687-60094			44 inch	
3	Q5669-60673	Belt Assembly		24 inch	<a href="#">6-141</a>
	Q6659-60175			44 inch	
4	Q6687-60094	Trailing Cable and Carriage PCA Cover		24 inch	<a href="#">6-99</a>
	Q6659-67015			44 inch	
-	Q5669-60679	Encoder Strip (including Encoder Strip Spring and Nut) - 50 units		24 inch	<a href="#">6-99</a>
	Q6659-60176			44 inch	

*a Refers to the page in the Removal and Installation Chapter*



**Figure 5-10: Scan-Axis Assemblies (T1100/T1100ps/T610)**

**Scan-Axis Assemblies (T1120/T1120ps/T620)**

Reference on Figure	HP Part Number	Part Description	Printer Model	Size	Page <sup>a</sup>
1	CK837-67017	Encoder Strip (including Encoder Strip Spring and Nut)	T1120/ T1120ps/ T620	24 inch	<a href="#">6-99</a>
	CK839-67005			44 inch	
2	Q5669-60673	Belt Assembly		24 inch	<a href="#">6-141</a>
	Q6659-60175			44 inch	
3	Q5669-60672	Belt Tensioner		All	<a href="#">6-141</a>
4	CK837-67014	Ink Supply Tubes and Trailing Cable		24 inch	
	CK839-67003			44 inch	

<sup>a</sup> Refers to the page in the Removal and Installation Chapter



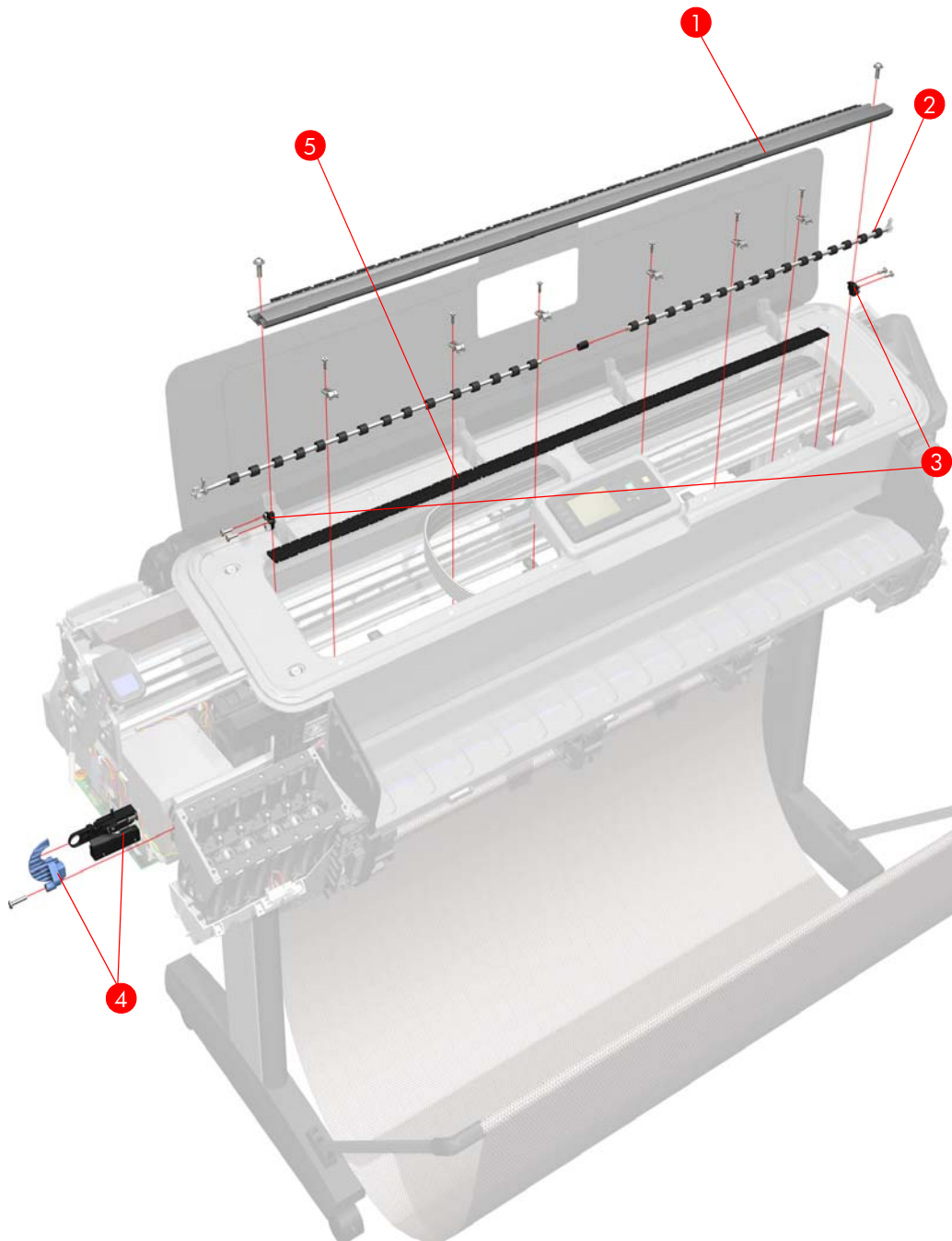
**Figure 5-11: Scan-Axis Assemblies (T1120/T1120ps/T620)**



## Paper Path Assemblies (Front)

Reference on Figure	HP Part Number	Part Description	Printer Model	Size	Page <sup>a</sup>
1	Q6683-60196	Starwheel Assembly	All	24 inch	<a href="#">6-214</a>
	Q6687-60060			44 inch	
2	Q6675-60042	Print Zone Overdrive		24 inch	<a href="#">6-216</a>
	Q6677-60018			44 inch	
3	Q5669-67054	Starwheel Lifter		All	<a href="#">6-243</a>
4	Q5669-60713	Cutter Assembly			<a href="#">6-42</a>
5	Q5669-60701	Full Bleed Foam Kit		24 inch	<a href="#">6-253</a>
	Q6659-60182			44 inch	

*a Refers to the page in the Removal and Installation Chapter*

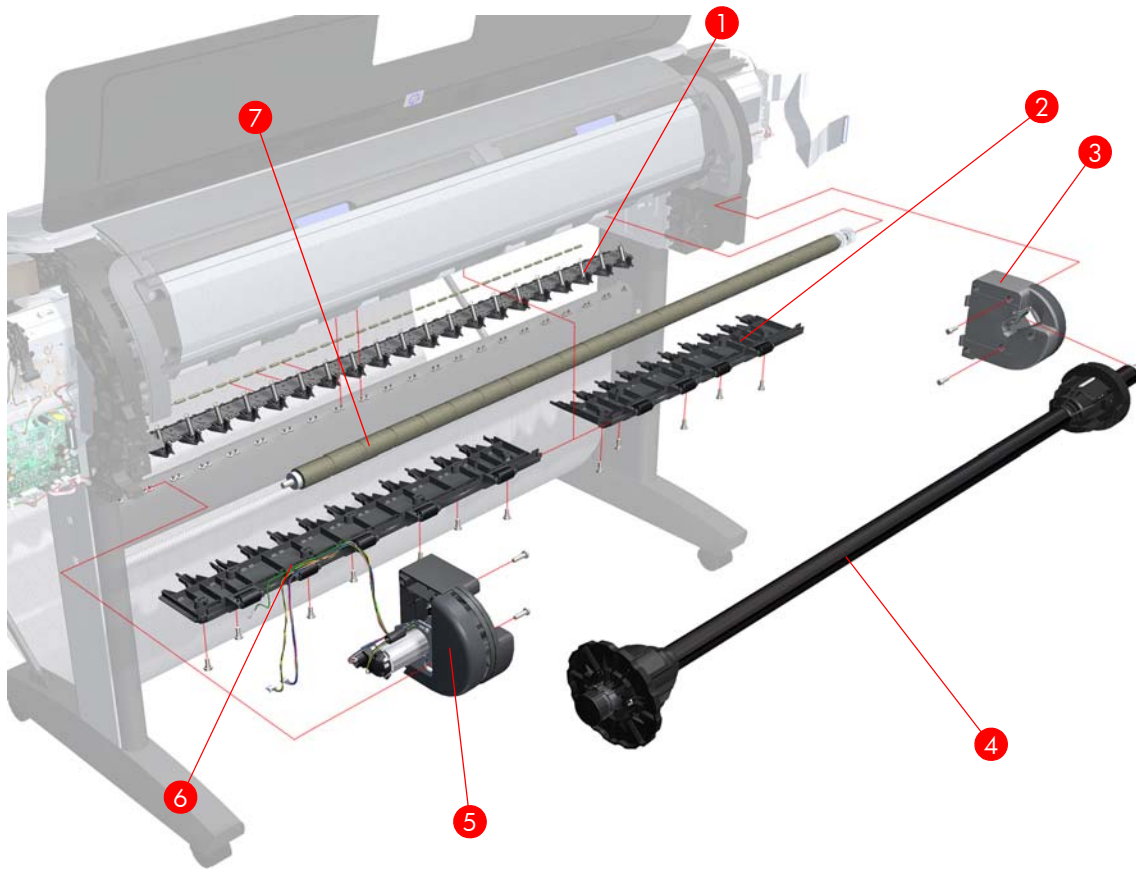


**Figure 5-12: Paper Path Assemblies (Front)**

## Paper Path Assemblies (Rear)

Reference on Figure	HP Part Number	Part Description	Printer Model	Size	Page <sup>a</sup>
1	Q6687-60085	Pinchwheel Assembly	All	All	<a href="#">6-235</a>
2	Q6677-60019	Left Roll Guide		44 inch	<a href="#">6-94</a>
3	Q6687-60082	Left Spindle Holder		All	<a href="#">6-80</a>
4	Q5669-60710	Spindle		24 inch	<a href="#">6-79</a>
	Q6687-67001			44 inch	
5	Q6683-67009	Right Spindle Holder		24 inch	<a href="#">6-81</a>
	Q6687-67004	Right Spindle Holder (rewinder included)	T1100/ T1100ps/ T610	44 inch	<a href="#">6-87</a>
	CK839-67002	Right Spindle Holder (rewinder included)	T1120/ T1120ps	44 inch	<a href="#">6-87</a>
6	Q6675-60044	Right Roll Guide	All	All	<a href="#">6-95</a>
7	Q6683-67005	Media Advance Roller		24 inch	<a href="#">6-229</a>

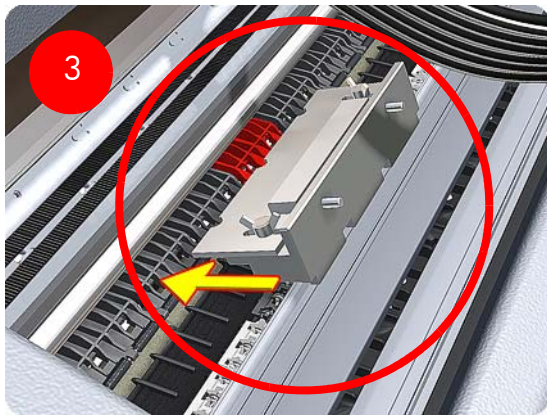
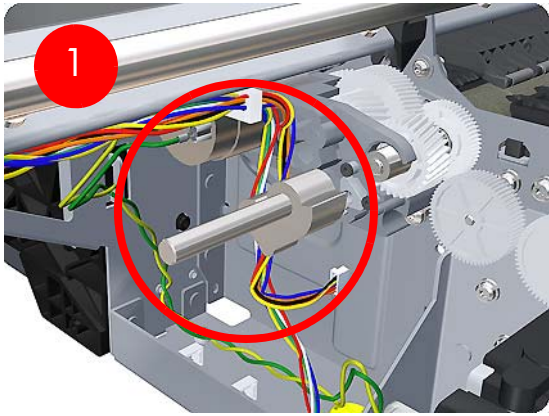
<sup>a</sup> Refers to the page in the Removal and Installation Chapter



**Figure 5-13: Paper Path Assemblies (Rear)**

## Tool Kits

Reference on Figure	HP Part Number	Part Description	Printer Model	Size
1	Q6675-67018	Media Driver Tool Kit (includes the Handle for Media Driver Tool Support and the Media Driver Adjustment Tool)	All	All
2	Q5669-60690	Flex Contacts Cleaning Tool		
3-4	Q6687-60084	Pinchwheel Insertion Tool		
5	Q6675-67017	Spanner Tool		
6	Q6683-67001	Tool Kit (includes pinwheel alignment tool, media driver tool, spanner # 13, oil dispenser, insert spring tool, tweezers, T15 screwdriver, 100cc Isopropyl Alcohol, lubricant oil, plastic gloves, flex contacts cleaning tool and cleaning kit)		
7	Q5669-60692	Lubrication Kit		



Dispenser Oil



Lubricant Oil



Cleaning cloth



Alcohol

**Figure 5-14: Tool Kits**

## Miscellaneous Parts

HP Part Number	Part Description	Printer Model	Size
Q6683-67018	Preventive Maintenance Kit #1	T1100/ T1100ps/ T610	24 inch
Q6687-67008			44 inch
CK837-67018		T1120/ T1120ps/ T620	24 inch
CK839-67006			44 inch
Q6683-60187	Preventive Maintenance Kit #2 (Service Station)	T1100/ T1100ps/ T610	All
CK837-67022		T1120/ T1120ps/ T620	
Q5669-60713	Preventive Maintenance Kit #3 (Cutter)	All	24 inch 44 inch
Q6683-60241	Paper Advance Calibration Kit		
Q6687-60093			
Q6675-60092	Harness Cables (includes Left ISS, Right ISS, Printmech PCA 24 inch and 44 inch)	T1100/ T1100ps/ T610	All
CK837-67008	Harness Cables (includes Left ISS, Right ISS, 24 inch and 44 inch)	T1120/ T1120ps/ T620	
Q6683-60213	Serial Number Label	All	
Q6675-67004	Ink System Purgers (6 Units)		
Q6675-67005	Ink System Purgers (100 Units)		
Q6675-67006	Double Sided Adhesive Pad		

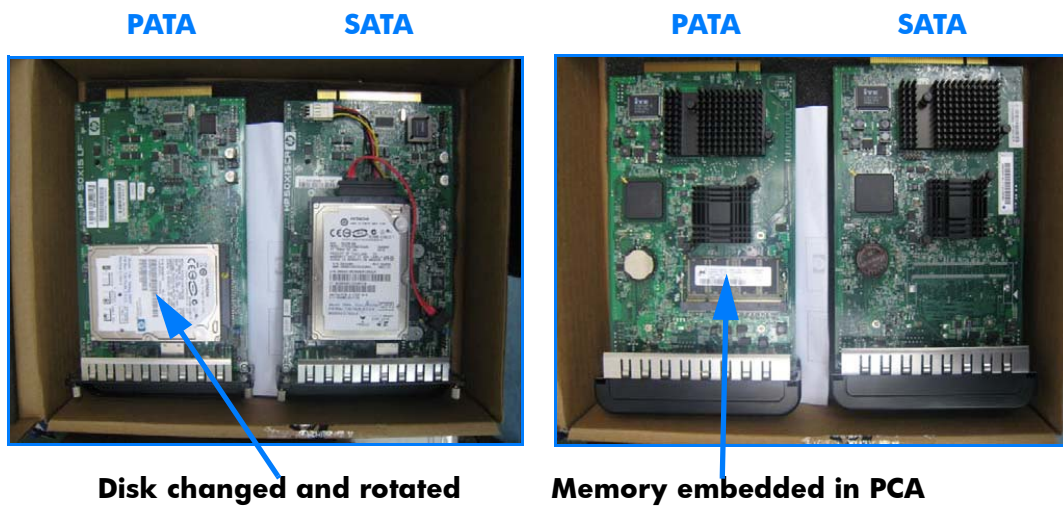


## New Formatter Design

There are two modifications to the new Formatter. Note that these changes do not effect the printer's performance.

- The current hard disk included in the Formatter PCA has been changed to a new type (SATA). To accommodate this new disk on the board, the orientation of the disk has been rotated and the connectors have been modified.
- The RAM memory included in the Formatter PCA has been moved from a memory module inserted in a slot to a new version integrated in the board, found under the hard disk.

The photos below show the difference between the two styles of formatters (old and new)



Only the following firmware supports the new style of Formatter:

- HP Designjet T610 and T1100 printers with the firmware 6.0.0.4 onwards.
- HP Designjet Z2100 and Z3100 printers with the firmware 6.0.2.1 onwards.